



Ultra Clean 99 Whole Home “Micro Particle” High Efficiency Air Cleaner

Patented “dual” air cleaning processes

Versatile design

HEPA pleat cartridge technology

Low static

Low voltage electronics

Only 10 watts of power

Optional programmable LCD

Simple maintenance

MERV 15 ASHRAE 52.2 performance

Optional programmable LCD

High temp option

up to 99% efficient

only 7” deep, simple servicing & installation

optimum microparticle collection

maintains system energy efficiency

natural, safe, electrical processes

green energy usage

audible & visual annual service notification

cartridge replacement every year or two

up to 99% efficient on airborne allergens, molds, virus and bacteria

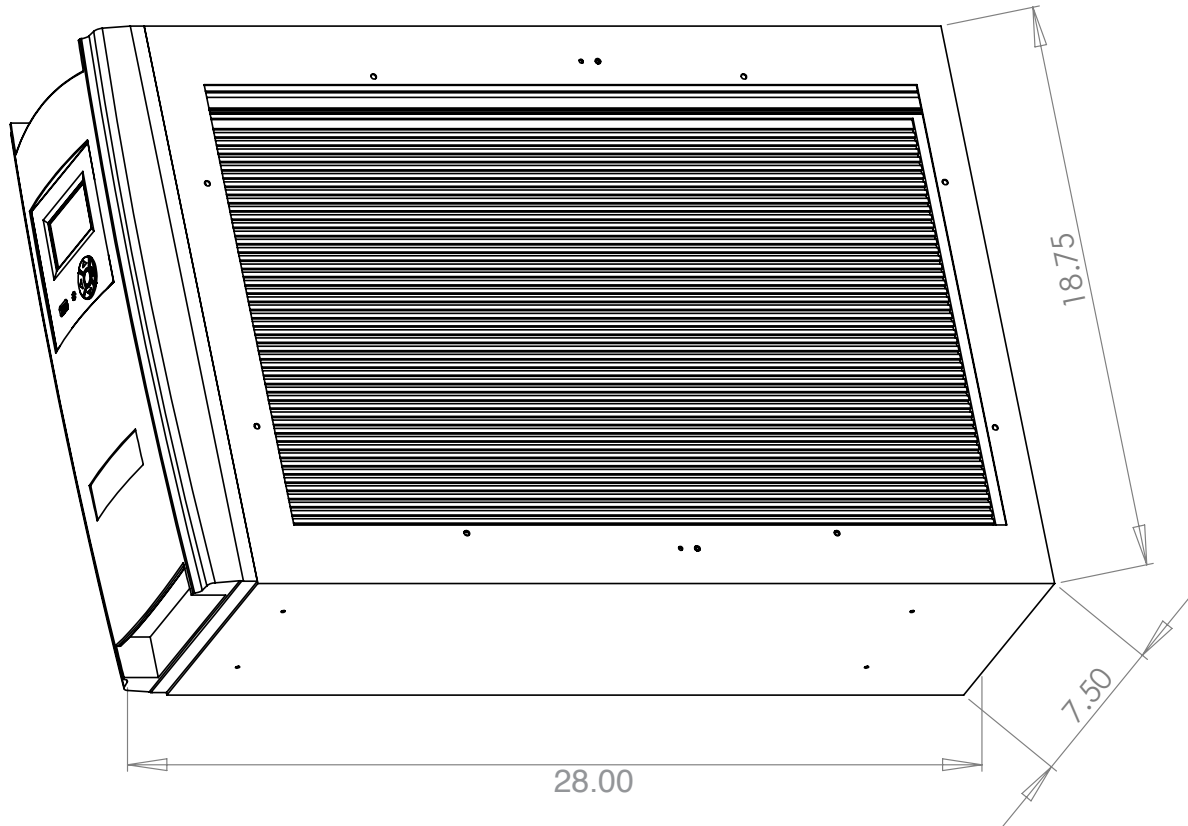
visual & audible service notification

ideal for attic installations



5 year warranty

Respicaire Ultra Violet 99 Hybrid Air Cleaner Technical Engineering Specifications



Specifications for Respicaire Ultra Clean 99 Hybrid Media/Electronic Air Cleaner

- High initial Efficiency in performance
- 4 wire spade connection to internal circuit board for fast installation
- 120 volt converted to dual low voltage circuits
- UV & corrosion resistant
- High Temperature option, up to 220 degrees fahrenheit
- Snap in components allowing separate mounting of metal cabinet base for installation ease & versatiliy
- Patented Dual Charging system for high micro particle capture rate
- Captures & Kills - CUL rated
- Efficiency: Up to 99% for typical airborne micro particles
- Optional LCD Screen for Annual Service Notification
- Vertical or Horizontal mounting
- Fully reversible for left or right installation

Specifications for Ultra Clean 99 Hybrid Media/Electronic Air Cleaner

MODEL #	NOMINAL UNIT SIZE DIMENSIONS	ACTUAL UNIT SIZE DIMENSIONS	ELECTRICAL SUPPLY	HIGH TEMP	LCD OPTION	STATIC PRESSURE	FPM
7GUC-1625	6" X 25" X 7"	18.75" x 28" x 7.5"	120V	YES	N/A	.13	400
7GUCL-1625	6" X 25" X 7"	18.75" x 28" x 7.5"	120V	N/A	YES	.18	500

For customer service contact 1-866-876-8044 or 1-416-615-0214